

DS-TCG225-XX 2MP Entrance&Exit Integrated Camera

Entrance&Exit Product

2MP

Cmos

ANPR

IR

VF

Relays

All-In-one

powerZoom

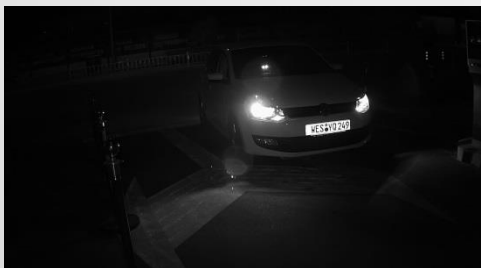


Hikvision Intelligent Traffic System offers a combination of image capturing, signal transmission, data optimization and intelligent video analytic for specific vertical applications such as Entrance management, Road safety enforcement, In-vehicle monitoring, Parking lot control, etc.

DS-TCG225-JXX

Entrance@Exit Integrated Camera

- 1/1.8" Progressive Scan CMOS
- 1920x1080 resolution with real-time video
- 2x pics high-performance IR LEDs
- 5.2~13mm Motorized Vari-focal lens
- Support relays output to control vehicle barrier
- Support Loop Triggering or Video Triggering
- Embedded ANPR
- Integrated shield, lights, TF Card
- Support white list, offline control



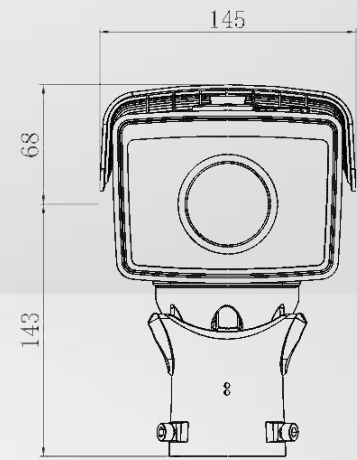
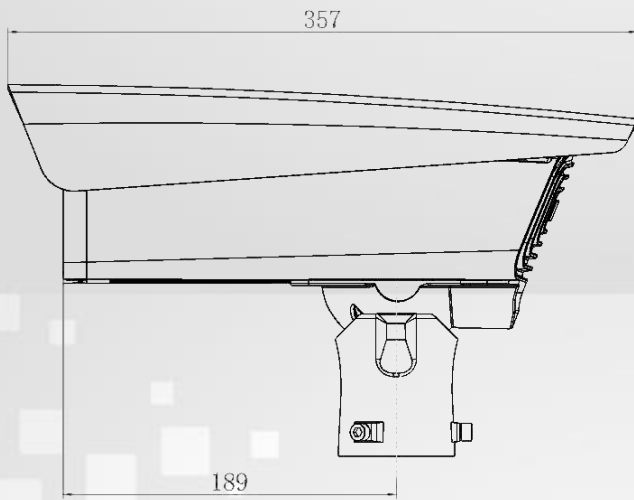


DS-TCG225-JXX 2MP Entrance&Exit Integrated Camera

Specification

Camera	
Image Sensor	1/1.8" Progressive Scan CMOS
Min. Illumination	0.002Lux@(F1.2,AGC ON), 0 Lux with IR
Shutter Speed	1/30s ~ 1/100,000s
Lens	5.2~13mm Motorized Vari-focal lens
Auto-iris	DC drive
Day & Night	IR Cut Filter with auto switch
Compression	
Video Compression	H.264/MJPEG
Video Bit Rate	32 Kbps – 16 Mbps
Image	
Max. Resolution	1920 x 1080
Frame Rate	25fps
Image Setting	Saturation, Brightness, Contrast, Sharpness adjustable by client software or web browser
Network	
Storage	TF card slot
Protocols	TCP/IP, HTTP,DHCP,DNS,RTP,RTSP,NTP, FTP Upload
Security	User Authentication, Heartbeat, NTP
Snapshot	
Picture Format	JPEG with configurable quality
Analytic	Support ANPR function * ANPR support requires a customized process, and the availability of regional Hikvision LPR support varies based on local algorithm development.
Interfaces	
Communication	1 RJ45 10M/100M Ethernet port, 1 RS-485 interfaces, 1 RS-232 interfaces
Audio	1 Audio Out
Io Input	1 Trigger In, 1 Alarm In
Relay	2 Relay Output
Video Output	1 CVBS interfaces
Memory Card Slot	1 TF card slot, built-in 8GTF card
General	
Operating Conditions	-30 °C ~ 70 °C, Humidity 90% or less (non-condensing)
Power Supply	AC100V~240V±10%
IP	IP67
Power Consumption	22W

Dimension:



Unit: mm

Available Model:

DS-TCG225-J/DS-TCG225-JIR